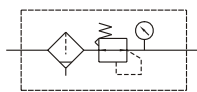


MAFR410 series Stainless steel type

AIR UNITS (F.R. UNIT)



Symbol:



Specification:

Model	MAFR410		
Bore No.	10A	15A	20A
Port size	PT 3/8	PT 1/2	PT 3/4
Medium	Air		
Operating pressure range	0~9.9 kgf/cm ² (0~0.99 MPa)		
Proof pressure	15 kgf/cm ² (1.5 MPa)		
Regulation pressure range	0.5~8.5 kgf/cm ² (0.05~0.85 MPa)		
Ambient temperature	-5~+60°C (No freezing)		
Filtration	Standard: 40 μm Option: 5,20 μm		
Attachment	Pressure gauge, bracket		
Weight	2920 g		

Order example:

MAFR410 — 15A — BSP

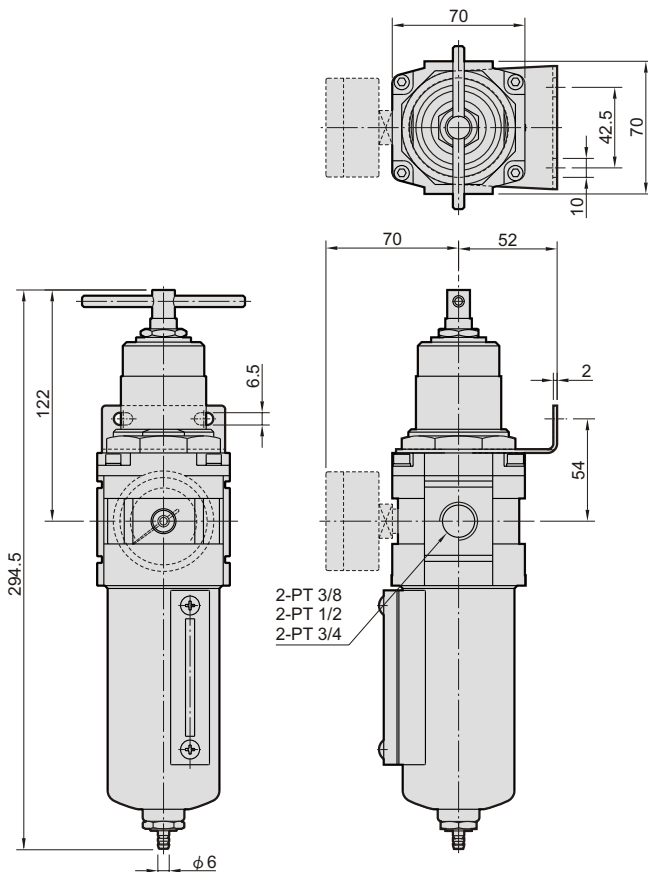
MODEL

BORE SIZE

10A: PT 3/8
15A: PT 1/2
20A: PT 3/4

PORT THREAD

Blank: PT thread
BSP: BSP thread
NPT: NPT thread



Flow feature :

